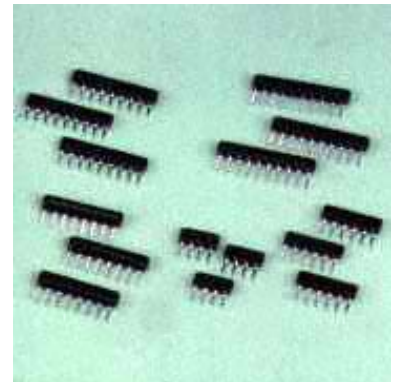


FEATURES

- Miniature, high density assembly
- Combinations of different ohmic value are available
- High reliability with RuO₂ paste

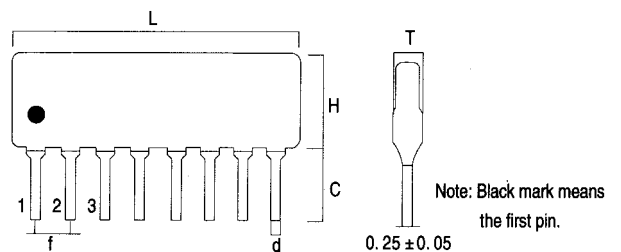


HOW TO ORDER

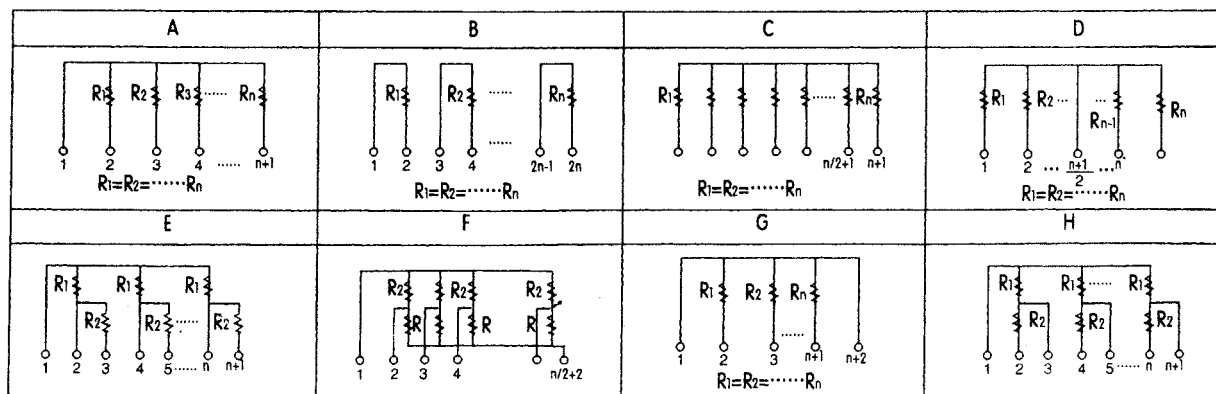
A		09		472		J	
Circuits		Number of pin		Resistance Value		Tolerance	
A		04	4 pin	E-24: The first two digits are significant figure of resistance and the third one express number of following zeros. Letter R is decimal point. Jumper is expressed by 000		F	± 1%
B		05	5 pin			G	± 2%
C		06	6 pin			J	± 5%
D		07	7 pin				
E		08	8 pin				
F		09	9 pin				
G		10	10 pin				
H		11	11 pin				
		12	12 pin				
		13	13 pin				
		14	14 pin				

DIMENSIONS

TYPE	Lmax (mm)	Hmax (mm)	Tmax (mm)	C ±0.5	d ±0.05	f ±0.2
4 pin	10.2	5.08	2.5	3.5	0.5	2.54 (1.778)
5 pin	12.7					
6 pin	15.3					
7 pin	17.8					
8 pin	20.4					
9 pin	22.9					
10 pin	25.4					
11 pin	28.0					
12 pin	30.5					
13 pin	33.1					
14 pin	35.6					



CIRCUIT CONSTRUCTION



RATED POWER

Item	A	B
Rate Power	1/8W (1/4W)	1/8W (1/4W)
Max. Operating Voltage	200V	
Resistance Tolerance	± 1%(F) ± 2%(G) ± 5%(J)	
Resistance Range	E-24 Series (10Ω ~ 1MΩ)	
Operating Temperature Range	-55°C ~ +125°C	
Temperature Coefficient	±250ppm/°C / ±100ppm/°C	
Rated Temperature	+70°C	

CHARACTERISTICS

Item	Specifications	Test Methods(JIS C 4202)
Temperature Cycling	±(1.0% + 0.05Ω)	-55°C ~ +125°C for 5 cycles
Short Time Over load	±(2% + 0.1 Ω)	Rated Voltage x 2.5 for 5 sec.
Resistance To Soldering Heat	±(1% + 0.05 Ω)	260 ± 5°C for 10 sec.
Moisture Loading Life	±(3% + 0.1 Ω)	60°C ±2°C 90-95% RH 1000Hrs at RCWV 1.5Hrs ON, 0.5Hrs OFF
Load Life	±(3% + 0.1 Ω)	70°C ±2°C, 1000Hrs at RCWV 1.5Hrs ON, 0.5Hrs OFF
Solderability	Coverage >= 95%	235°C ± 5°C for 3 sec.

PACKAGING QUANTITY

Bulk Package (B)	200 pcs per plastic bag. 5 bags per box
------------------	---